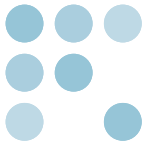




GYNECOLOGICAL EXAMINING TABLE



Examining Table

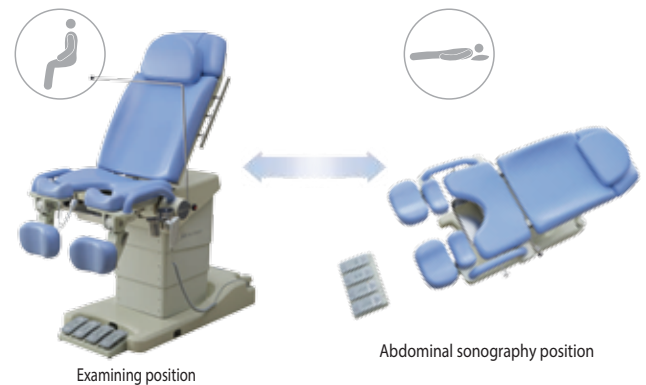
JW-G2000



Convenience and Effectiveness

A new concept of a dynamic chair ensures patient's convenience and doctor's work-effectiveness.

JW-G2000 provides both position examining & abdominal sonography position by one table. As well as work-efficiency, it can save the space for extra bed in examination.



A Modern and Ergonomic Design

Ergonomics and ease of use are characteristic features of the modern examination chair. An ultrasound machine can be used without an extra bed and it guarantees a modern and friendly environment for your patients.

The Top-Class Examination Chair

Memory function in 3 positions and Trendelenburg function provide effectiveness of gynecological investigation and the most optimum examination position for a doctor and a patient.

Features:

- ◆ Widely used in obstetrics and gynecology clinics, embryo transfer rooms and reproductive support centers IUI, IVF...
- ◆ Back section has a curved structure which suitable for modern women shape.
- ◆ Having tray for roll paper inside the back of the table.
- ◆ 2 holders was integrated in knee crutches which are covered by high quality leather
- ◆ Hip Section: 550 x 340 mm (W x D).
- ◆ Drain Tray 310 x 200 x 50mm (W x D x H) was made by Aluminum alloy.
- ◆ 7 levels can be adjusted by leg rest.
- ◆ For rust proofing, cotton container and forcep jar is made of stainless steel SUS 304. Cotton Container and Forcep jar dimension: $\varnothing 90 \times 90$ mm ; $\varnothing 54 \times 90$ mm
- ◆ Column housing was made by stainless steel and covered by electrostatic coating.
- ◆ Base Section: 1100 x 550 mm (D x W). Base is covered by ABS sythetic resin (shock resistant).
- ◆ Base has 4 casters and 2 brakes to lock the position of the equipment.
- ◆ Handswitch has 12 buttons for positioning the table.
- ◆ Footswitch has 4 buttons for positioning the table. Dimension: 360 x 200 mm (W x D).
- ◆ There are 3 sensors which receive the signal from wireless food switch.



<Ultrasound Position>

Standard Accessory



1) Hand Switch



2) Foot Switch



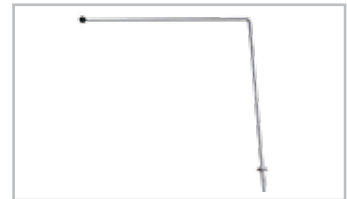
3) Cotton Container & Forcep jar



4) Sheet Paper



5) Drain Tray



6) Screen Frame

Optional Accessory



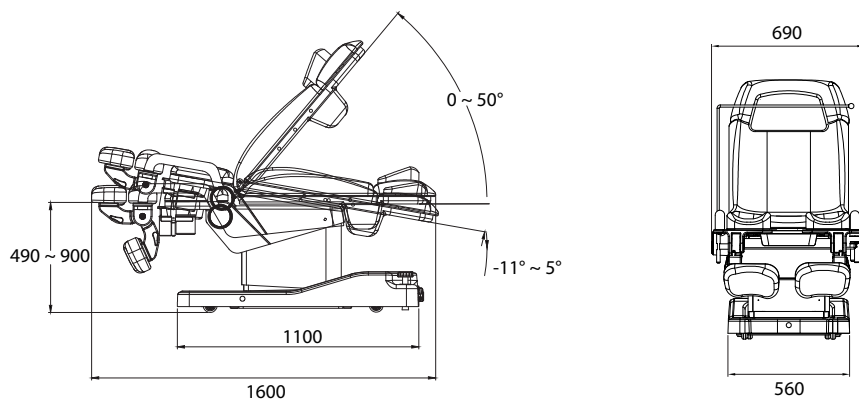
1) LED Examination Light

- ◆ Illumination (max): 20.000 Lux \pm 3.000 Lux (at 30cm)
- ◆ Average life of bulb: 30.000 hours
- ◆ Color temperature: 4.000°K \pm 250°K
- ◆ Housing Diameter \varnothing 30mm
- ◆ Field of light: \varnothing 100mm \pm 10mm (at 30cm)
- ◆ Power consumption: 10W \pm 15%



2) Side Rail

Dimensions





Gynecological Examining Table *Examining Table*

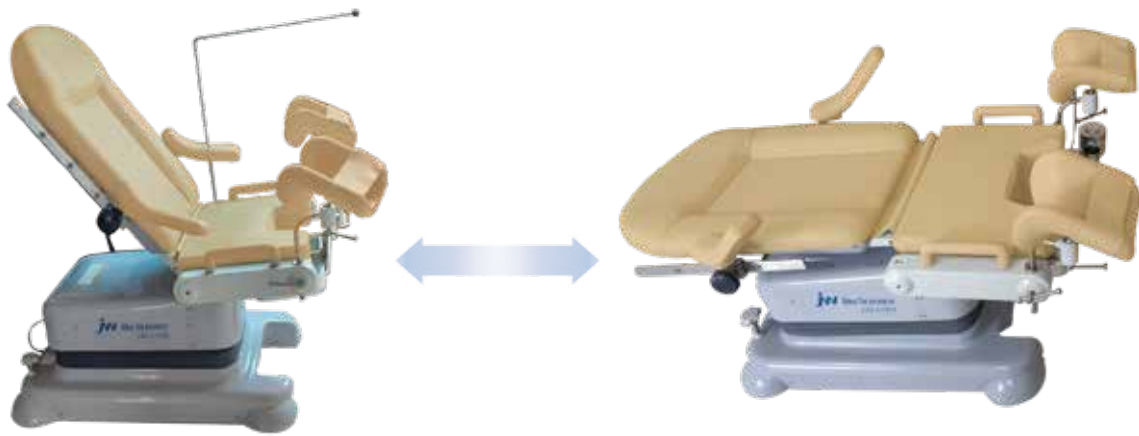
CHS - E1000



This gynecological table is of the highest quality and features with advanced electro-hydraulic pump which offers numerous superior functions and great convenience.



Examination Position



Features

- ◆ Widely used in obstetrics and gynecology clinics, embryo transfer rooms and reproductive support centers IUI, IVF...
- ◆ Easy-to-use wireless remote control foot switch can provides the examination room with hygienic environmental conditions.
- ◆ Attachable or fixed leg rest which can be selected as an option helps provide convenience and efficiency in ultrasonic diagnosis.
- ◆ New ergonomic design fits the body shapes of modern women.
- ◆ Comfortable and cozy examining circumstance provided by the built-in auto-position control system.
- ◆ Various accessories necessary for examination.
- ◆ Hip section with seat warming system which prevents initial surface chilliness during examination.
- ◆ Table top and 2 arm rest are covered by high quality leather which is not affected by cleaning chemical.
- ◆ Screen Frame was made by stainless steel, can adjust the height or angle.
- ◆ Provides display screen which helps to check the height and angle of chair. This screen allows users to adjust the position precisely
- ◆ Knee Krutches has adjustable height to suits the need of examination.
- ◆ Side rails 30 x 8 mm (W x D) made by stainless steel SUS304 on both side of table top for attachment of accessories.
- ◆ For rust proofing, cotton container and forcep jar is made of stainless steel SUS 304. Cotton Containter and Forcep jar dimension: ø90 x 90 mm ; ø54 x 90 mm
- ◆ Drain tray is made of Aluminium for easy cleaning, can pull in and out, compact size 370 x 270 x 60 mm (W x D x H).
- ◆ Base has 4 casters and 2 brakes to lock the position of the equipment.
- ◆ Wireless Foot Switch 320 x 170 x 120 mm (W x L x H) help to control table to reach any angle or height.



Standard Accessory



1) Knee Crutches



2) Sheet Paper



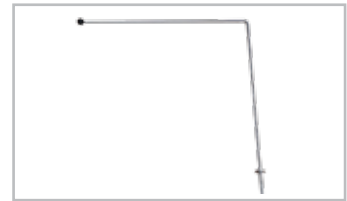
3) Drain Tray



4) Arm Rest



5) Cotton Container & Forcep jar



6) Screen Frame

Optional Accessory



1) LED Examination Light

- ◆ Illumination (max): 20.000 Lux \pm 3.000 Lux (at 30cm)
- ◆ Average life of bulb: 30.000 hours
- ◆ Color temperature: 4.000°K \pm 250°K
- ◆ Housing Diameter \varnothing 30mm
- ◆ Field of light: \varnothing 100mm \pm 10mm (at 30cm)
- ◆ Power consumption: 10W \pm 15%



2) Hand Surgery Arm Rest

Dimension: 440 x 220mm



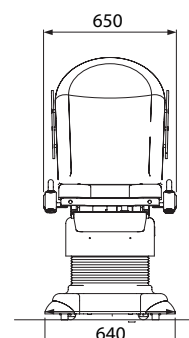
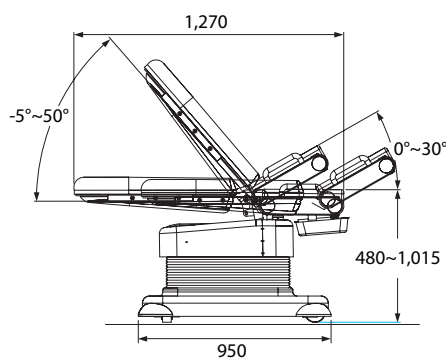
3) Leg Rest A

Dimension: 495 x 515mm



4) Leg Rest B

Dimensions



SPECIFICATIONS

JW-G2000

CONTENTS	Specification
Overall Size(mm)	690(W) x 1,410(L) x 490~900(H)
Table Size(mm)	690(W) x 1410(L)
Moving Upward/Downward	490mm~900mm
Back Plate Rotating Angle	0°~50°
Knee Plate Rotating Angle	-5° ~ 42° (±5°)
Trendelenburg	-11° ~ 5°
Power Source	220~230VAC, 50/60Hz
Power Consumption	450VA
Fuse	5A
Maximum Patient Weight	210 kg
Weight	180 kg
System	Motor operated
Function of Memory	Maximum 3
Cover of Lift	Steel
Operating Temperature/ Humidity	10°C to 40°C/ 30% to 95%

CHS-E1000

CONTENTS	Specification
Overall Size(mm)	650(W) x 1,270(L) x 480~1,015(H)
Table Size(mm)	650(W) x 1,270(L)
Moving Upward/Downward	480mm~1015mm
Back Plate Rotating Angle	-5°~50°
Hip Plate Rotating Angle	0° ~ 30°
Power Source	AC 220V, 50/60 Hz
Power Consumption	480VA
Fuse	5A
Maximum Patient Weight	135kg
Weight	135kg
Accessories Weight	35kg
Operating Temperature/ Humidity	10°C to 40°C/ 30% to 95%

Gynecological Examining Table

JW Group

The specifications are subject to change without prior notice for improvement

JW Holdings

OFFICE
2477 Nambusunhwan-ro, Seocho-gu, Seoul,
Republic of Korea

OVERSEAS
Tel: +82-2-840-6649 Fax: +82-2-841-1213
E-mail: export@jw-holdings.co.kr

www.jw-holdings.co.kr

JW BioScience / Manufacturer

FACTORY
73, Chungjusandan 1-ro, Chungju-si
Chungcheongbuk-do, Republic of Korea
Tel: +82-43-855-7441 Fax: +82-43-855-7444

DOMESTIC
Tel: +82-2-2109-7800 Fax: +82-2-852-1984
E-mail: web@jw-bioscience.co.kr

www.jw-bioscience.co.kr

2022 01 Printed in Korea Rev 1